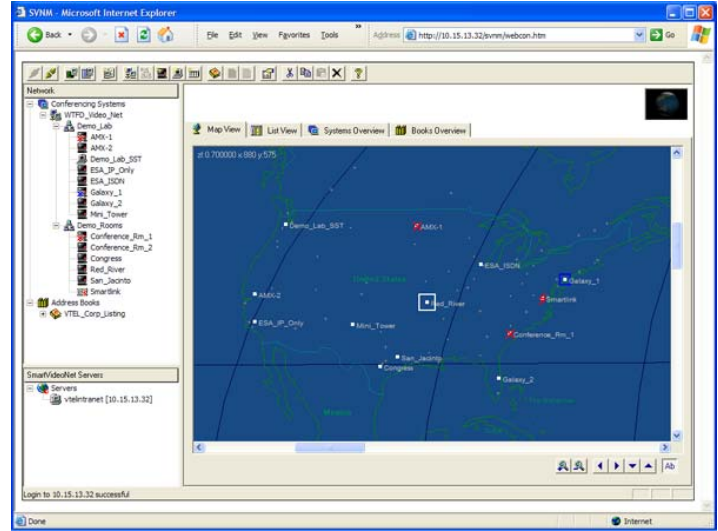


SVNM – SmartVideoNet Manager SNMP Manager

- Central coordination point for all administration activities
- Prepares SNMP information from monitored endpoint for presentation on the console and translates user-interface actions into SNMP requests
- Resides on a system running Windows NT Server or Windows 2000 Server
- Uses Microsoft® SNMP management API
- Multiple servers can work together to distribute management responsibilities



SmartVideoNet Agent

- Translates status information and events into SNMP variables and traps as it communicates with videoconferencing system platform software
- Resides on each conferencing system on the network
- Functions with the Microsoft SNMP extendible agent

Supported Devices

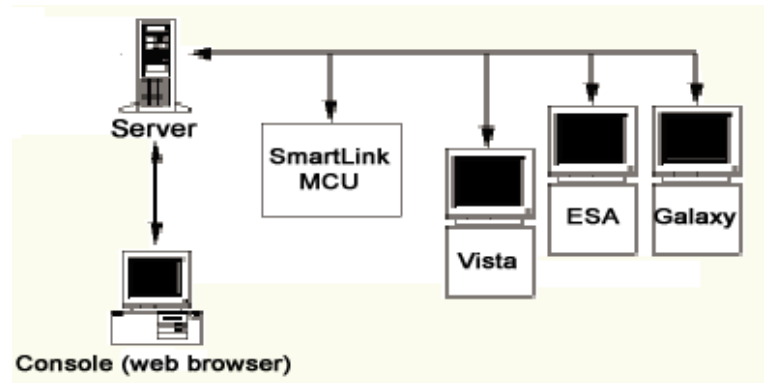
- VTEL Vista systems
- VTEL Galaxy systems
- VTEL Enterprise Series Architecture systems (ESA v. 1.3 and above)
- VTEL SmartStation (v. 5.0 and above)
- VTEL WG500 (v. 5.0 and above)
- VTEL SmartLink™ MCS (v. 6.0 and above)

System Requirements

- *SmartVideoNet Manager Console:* 100 MHz Pentium® processor, 16 MB memory
- *SmartVideoNet Manager SNMP Manager:* 100 MHz Pentium processor, 32 MB memory, 100 MB hard disk free

Network Requirements

- IP network connection
- LAN cards to connect monitored systems to data network



Supported Operating Systems

- *SmartVideoNet Manager Console:* Web browser, IE 5 or later, Netscape 5 or later
- *SmartVideoNet SNMP Manager:* Windows NT Server 4.0 or Windows 2000 Server
- *SmartVideoNet Agent:* VTEL VCS, Vtouch, or AppsView™ software

